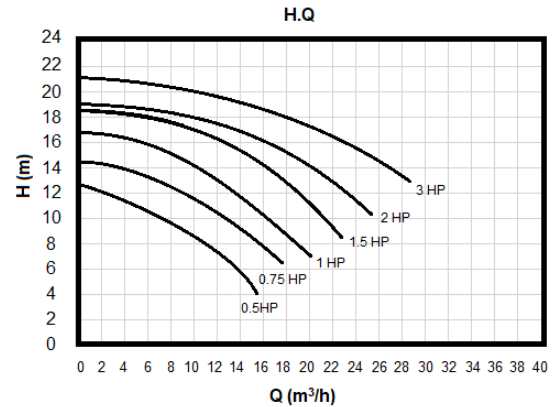
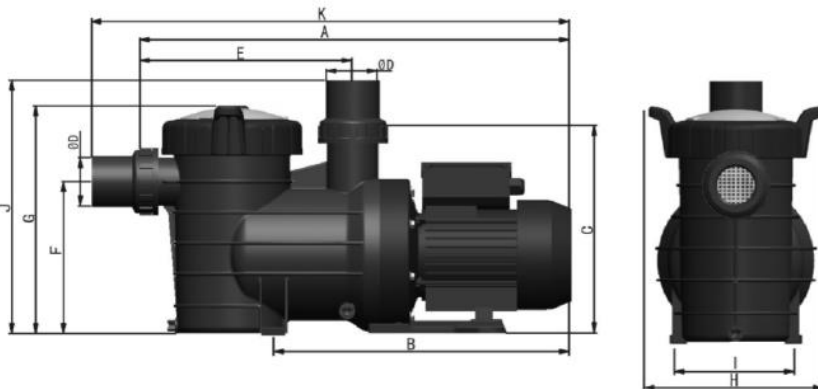


QUANTUM SELF-PRIMING POOL PUMP

Delmont pump is built to be quiet, durable and reliable. The motor materials are rustproof, with a stainless-steel motor shaft and sealed bearings that never need lubrication. The thermoplastic housing is built to withstand extreme heat and resist corrosion. Delmont includes a pre-filter with a large strainer to prevent the entry of any foreign objects which could cause damage to the hydraulic parts of the pump, with a see-through lid for easy inspection. The hydraulic design moves water more efficiently and quieter than any other pump in its category.



- Designed for high performance and long wearing application
- Self-priming design ensures long life
- Easy to maintain, clean and use
- Large basket strainer and see-through lid
- TUV GS Certified



CODE	DESCRIPTION	HEAD (m)	FLOW RATE (m³/h)	MAX POOL VOL. (m³/8hr)
DPM00031	½ HP Single Phase	8	10.4	80
DPM00032	¾ HP Single Phase	10	12.7	96
DPM00033	1 HP Single Phase	10	16.4	128
DPM00034	1 ½ HP Single Phase	10	21.3	168
DPM00035	2 HP Single Phase	12	23	176
DPM00036	3 HP Single Phase	14	27	208
DPM00037	3 HP Three Phase	14	27	208