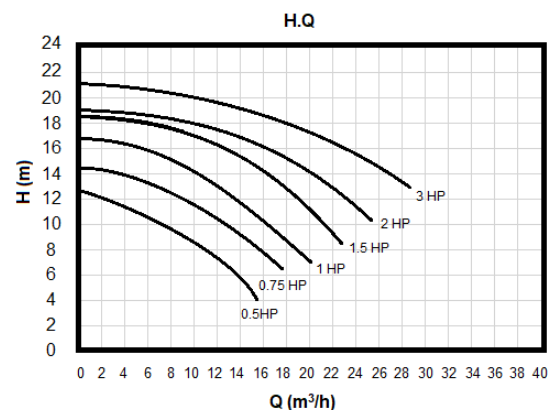
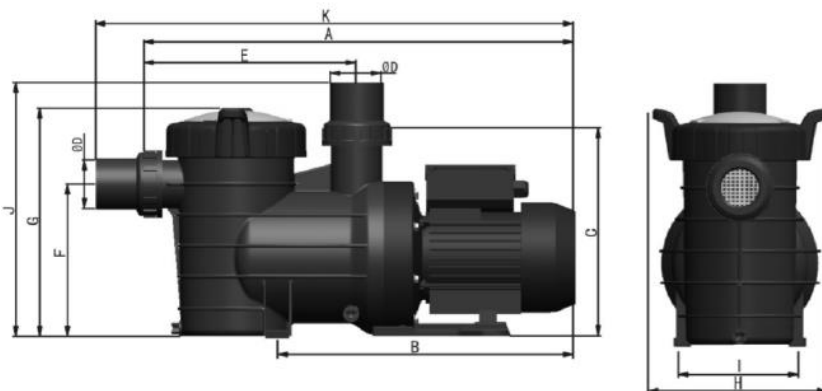


QUANTUM SELF-PRIMING CENTRIFUGAL PUMP

Delmont pump is built to be quiet, durable and reliable. The motor materials are rustproof, with a stainless-steel motor shaft and sealed bearings that never need lubrication. The thermoplastic housing is built to withstand extreme heat and resist corrosion. Delmont includes a pre-filter with a large strainer to prevent the entry of any foreign objects which could cause damage to the hydraulic parts of the pump, with a see-through lid for easy inspection. The hydraulic design moves water more efficiently and quieter than any other centrifugal pump in its category.



- Designed for high performance and long wearing application
- Self-priming centrifugal design ensures long life
- Easy to maintain, clean and use
- Large basket strainer and see-through lid
- TUV GS Certified



CODE	DESCRIPTION	HEAD (m)	FLOW RATE (m³/h)	MAX POOL VOL. (m³/8hr)
04010M01BT	½ HP Single Phase	8	10.4	80
04010M02BT	¾ HP Single Phase	10	12.7	96
04010M03BT	1 HP Single Phase	10	16.4	128
04010M04BT	1 ½ HP Single Phase	10	21.3	168
04010M05BT	2 HP Single Phase	12	23	176
04010M06BT	3 HP Single Phase	14	27	208
04010M07BT	3 HP Three Phase	14	27	208