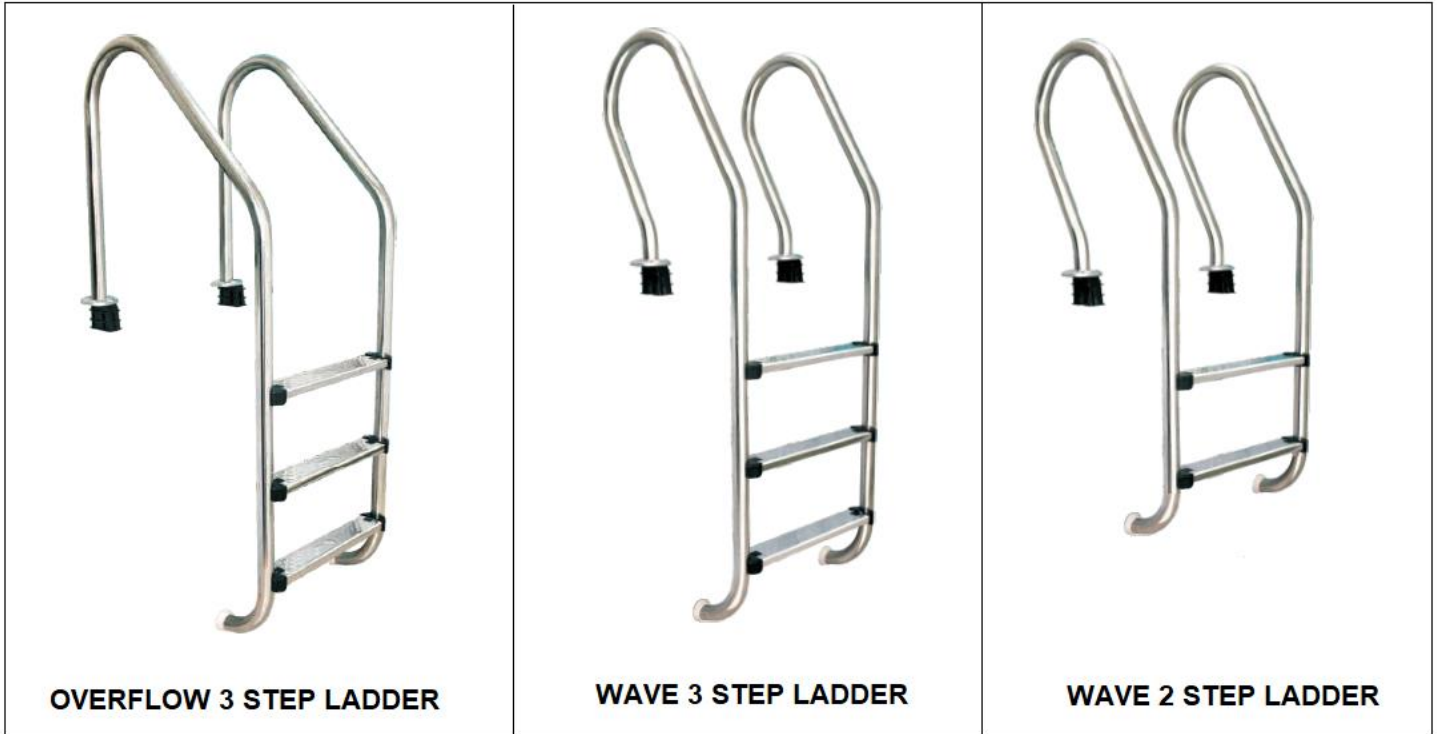


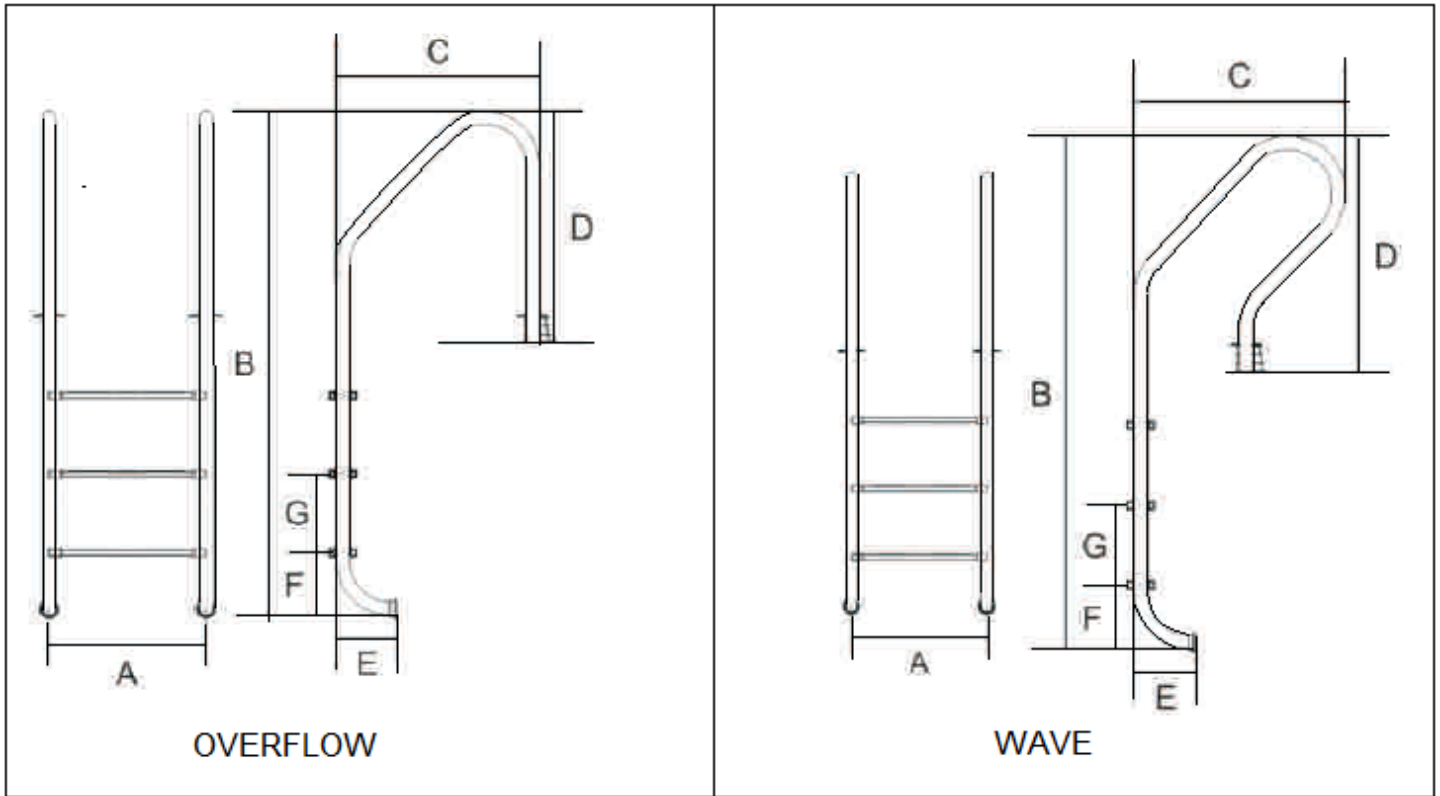


POOL LADDER SERIES:



Stainless steel ladder with stainless steel steps made with trusted quality AISI 304 standard stainless steel with 1.1mm thickness. High resistance to corrosion with a shiny polished finish. The steps are also made of stainless steel with 500 mm width, safe and convenient to use with safety design to guard against slippage. The ladder comes with plastic stoppers that rest against the pool wall and protect it from damage and function as an anchor.





KODE	NAMA	DIMENSION (mm)						
		A	B	C	D	E	F	G
DLD00001	DIAMOND MIX (WAVE) 2 STEP LADDER	500	1330	585	620	180	200	250
DLD00003	DIAMOND OVERFLOW 3 STEP LADDER	500	1537	1000	608	180	200	250
DLD00004	DELMONT WAVE 3 STEP LADDER	493	1580	533	709	190	200	250
DLD00005	DELMONT WAVE 2 STEP LADDER	493	1330	533	709	190	200	250